

LOW EAVE (BASIC)

EB8100-LOW EAVE (BASIC)

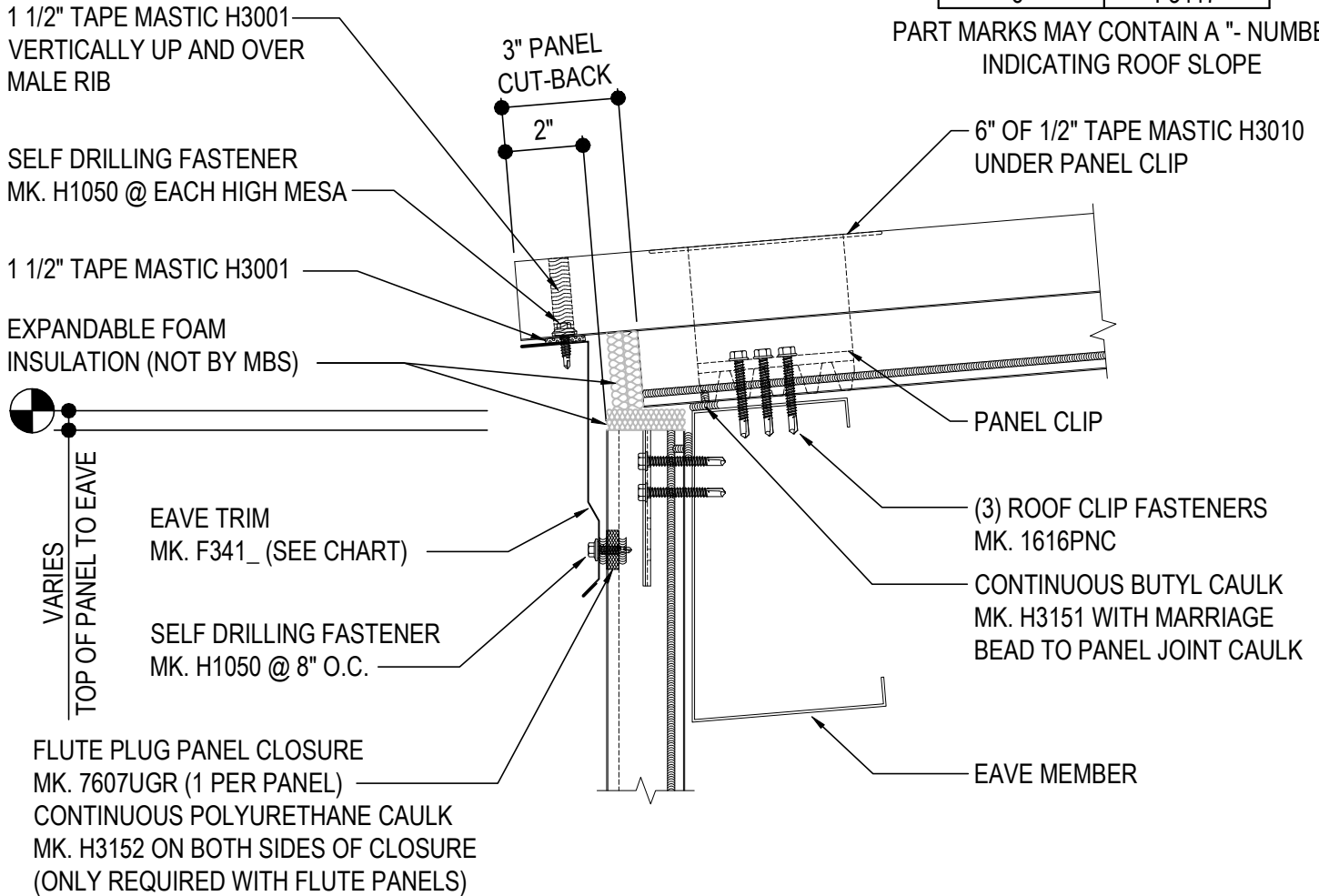
EB8200-LOW EAVE CORNER

EB8100 - LOW EAVE (BASIC)

[Download the DWG file by clicking here.](#)

ROOF PANEL THICKNESS	EAVE TRIM
2" / 2.5" / 3"	F3415
4" / 5"	F3416
6"	F3417

PART MARKS MAY CONTAIN A "-" NUMBER" INDICATING ROOF SLOPE



BASIC EAVE DETAIL

INSULATED METAL PANEL ROOF WITH BASIC EAVE TRIM

EB8100

Detailer Notes:

- 1) N/A

EB8200 - LOW EAVE CORNER DETAIL

[Download the DWG file by clicking here.](#)

STEP 1

PREPARATION FOR RAKE TRIM INSTALLATION AT BUILDING WITHOUT GUTTER

RAKE TRIM CLOSURE ATTACHMENT

ATTACH RAKE TRIM CLOSURE **F3444** AT A HIGH RIB OR LOW RIB FOR PROPER SEAL. NOTCH LOWER TAB OF RAKE TRIM. REMOVE LOWER LIP OF RAKE CLOSURE (DASHED) SO THAT END CAP ASSEMBLY WILL FIT FLUSH TO CLOSURE AND PANEL.

END CAP ASSEMBLY

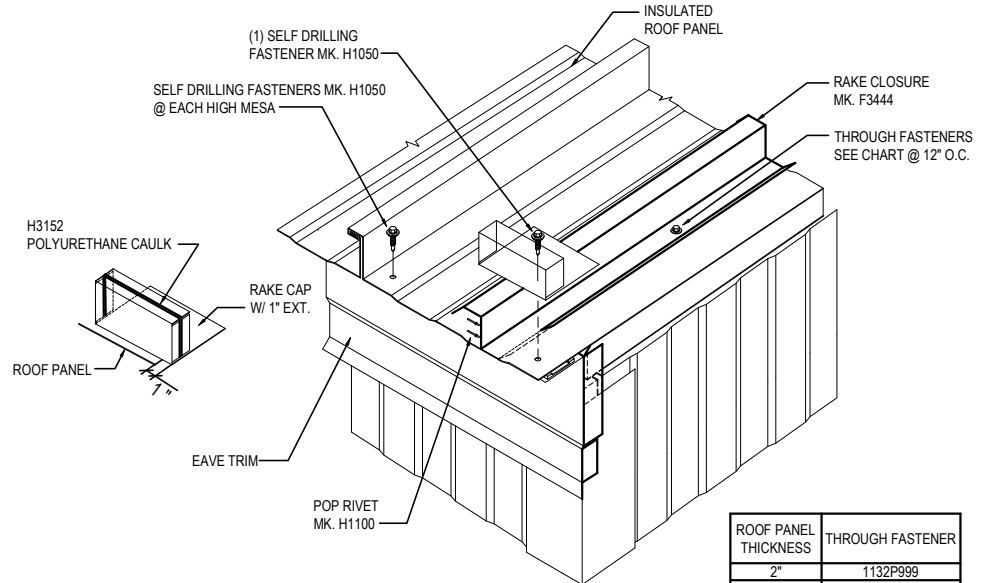
FIELD FABRICATE THE RAKE CAP WITH ADDITIONAL 1" BENDS.

APPLY POLYURETHANE TUBE CAULK (H3152) TO (3) SIDES OF THE RAKE CAP AND PLACE IT AT THE END OF THE PANEL.

HOLD THE END CAP ASSEMBLY AGAINST THE RAKE CLOSURE TO ALIGN THE RAKE CAP AND END OF THE PANEL. ATTACH WITH (2) **POP RIVETS (MK. H1100)** TO RAKE CLOSURE VERTICAL LEG AS SHOWN. MAKE SURE TO EXTEND **RAKE CAP END 1" PAST ROOF PANEL FOR ATTACHMENT TO RAKE TRIM.**

FIELD COPE EAVE TRIM

EAVE TRIM **MK. F341_** HELD LEVEL TO FACE OF PANEL AND EXTENDED OUT PAST CORNER AND FIELD COPED AROUND CORNER ALLOWING FASTENING WITH **POP RIVETS MK. (H1100)** (NOT TO BE FASTENED YET).



ROOF PANEL THICKNESS	THROUGH FASTENER
2"	1132P999
2.5" / 3"	1140P999
4"	1148P999
5"	1156P999
6"	1164P999

END CAP DETAIL

STEP 2

RAKE TRIM INSTALLATION AT BUILDING WITHOUT GUTTER

BEFORE FASTENING RAKE TRIM YOU WILL NEED TO PLACE A **MK. H1050** FASTENER THROUGH THE RAKE CAP, ROOF PANEL, AND F341_ TO SECURE ITS LOCATION.

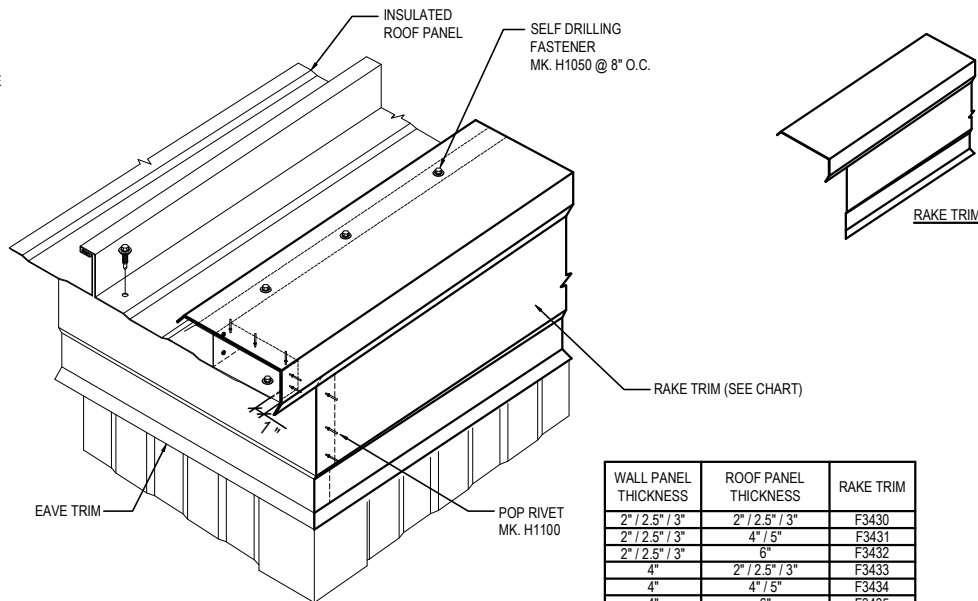
INSTALL RAKE TRIM **MK. F343_** HOLD RAKE TRIM AND NOTCH AS SHOWN FIELD WORK REQUIRED FOR WEATHER TIGHTNESS. USING THE LOW EAVE TRIM (F341_) TO MITRE THE CORNER.

EXTEND THE LOW EAVE END OF THE RAKE TRIM FLUSH WITH THE LOW EAVE END OF THE ROOF PANEL. FASTEN THE RAKE TRIM AS INDICATED IN THE RAKE TRIM DETAIL.

COPE THE BOTTOM VERTICAL LEG OF THE RAKE TRIM FLUSH WITH THE OUTSIDE EDGE OF THE WALL CORNER.

FASTEN THE RAKE TRIM TO THE LOW EAVE CORNER ASSEMBLY USING **POP RIVETS MK. (H1100)** AS SHOWN.

ALWAYS START THE RAKE TRIM INSTALLATION AT THE LOW EAVE WORKING TOWARD THE HIGH EAVE OR RIDGE.



WALL PANEL THICKNESS	ROOF PANEL THICKNESS	RAKE TRIM
2" / 2.5" / 3"	2" / 2.5" / 3"	F3430
2" / 2.5" / 3"	4" / 5"	F3431
2" / 2.5" / 3"	6"	F3432
4"	2" / 2.5" / 3"	F3433
4"	4" / 5"	F3434
4"	6"	F3435

PART MARKS MAY CONTAIN A "-" NUMBER INDICATING ROOF SLOPE

SCULPTURED RAKE TO BASIC LOW EAVE

EB8200

Detailer Notes:

- 1) N/A